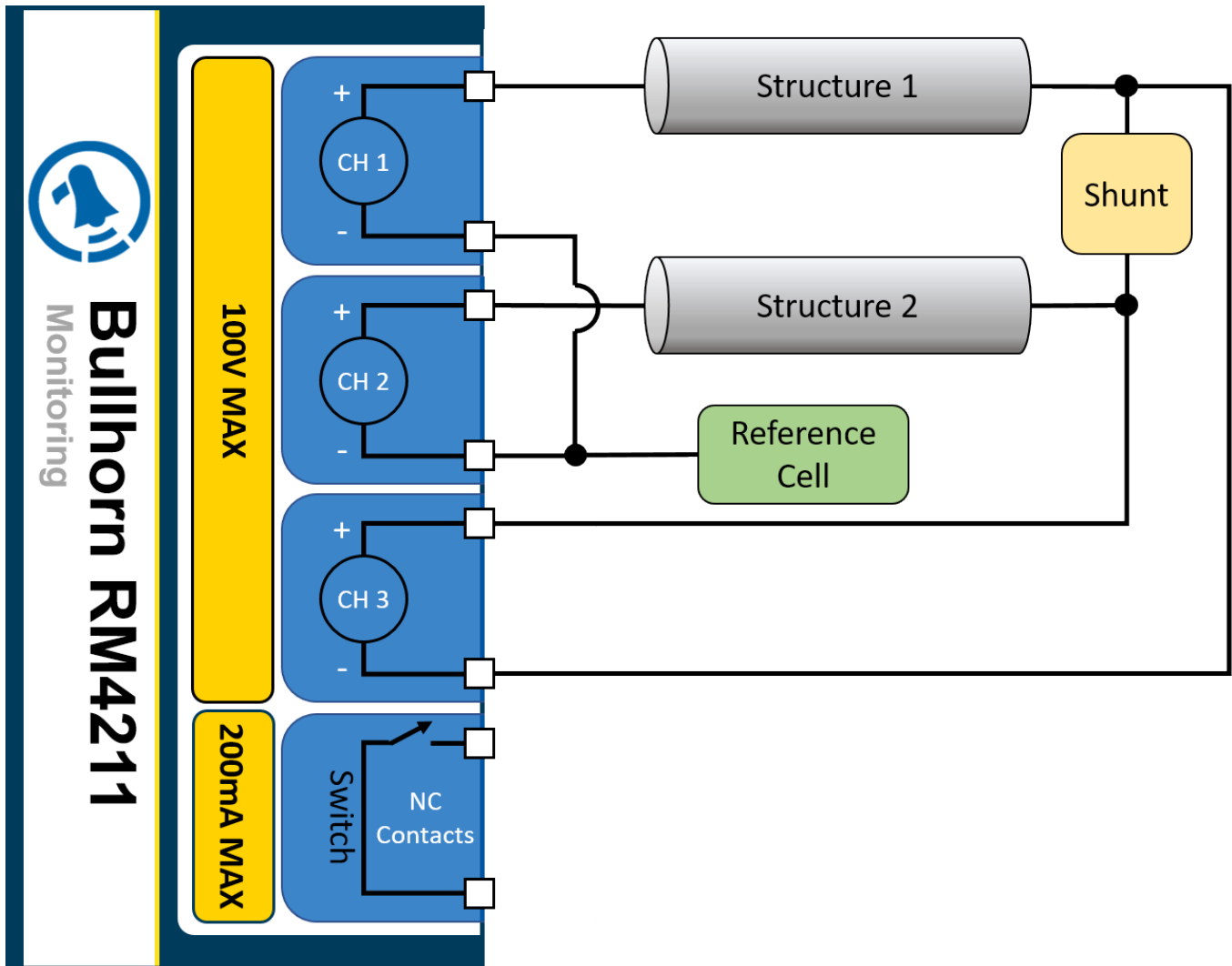


Refer to the following wiring diagrams when connecting the RM4211 remote monitoring unit to a bond, a solar-powered rectifier, a test station, or a decoupler (alone or with a coupon and current transducer):

- *RM4211 Connections to a Bond*
- *RM4211 Connections to a Solar Rectifier*
- *RM4211 Connections to a Test Station*
- *RM4211 Connections to a Decoupler*
- *RM4211 Connections to a Decoupler with Coupon and Current Transducer*

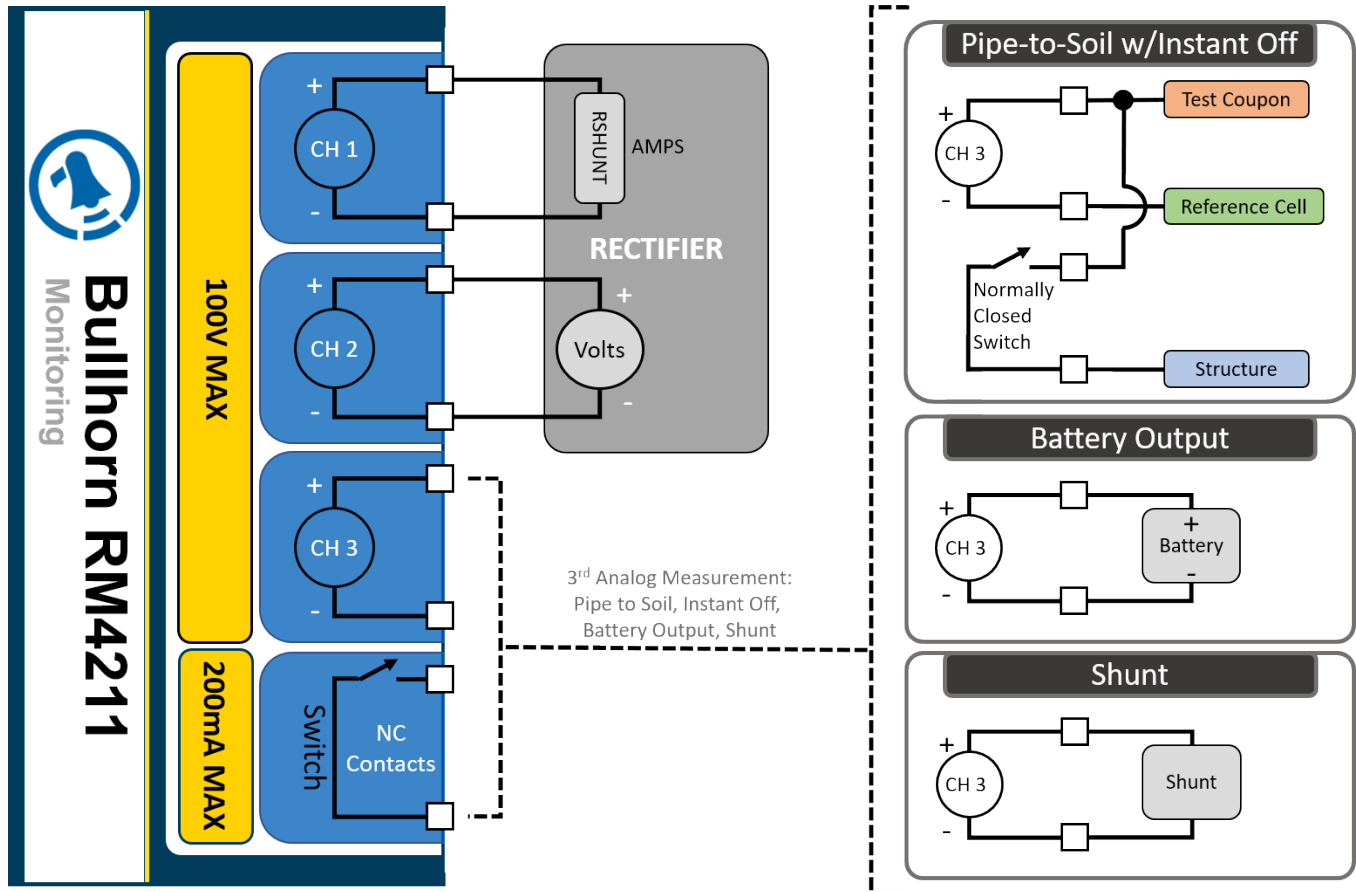
RM4211 Connections to a Bond

The following diagram is an example of the wiring configuration of an RM4211 to a bond:



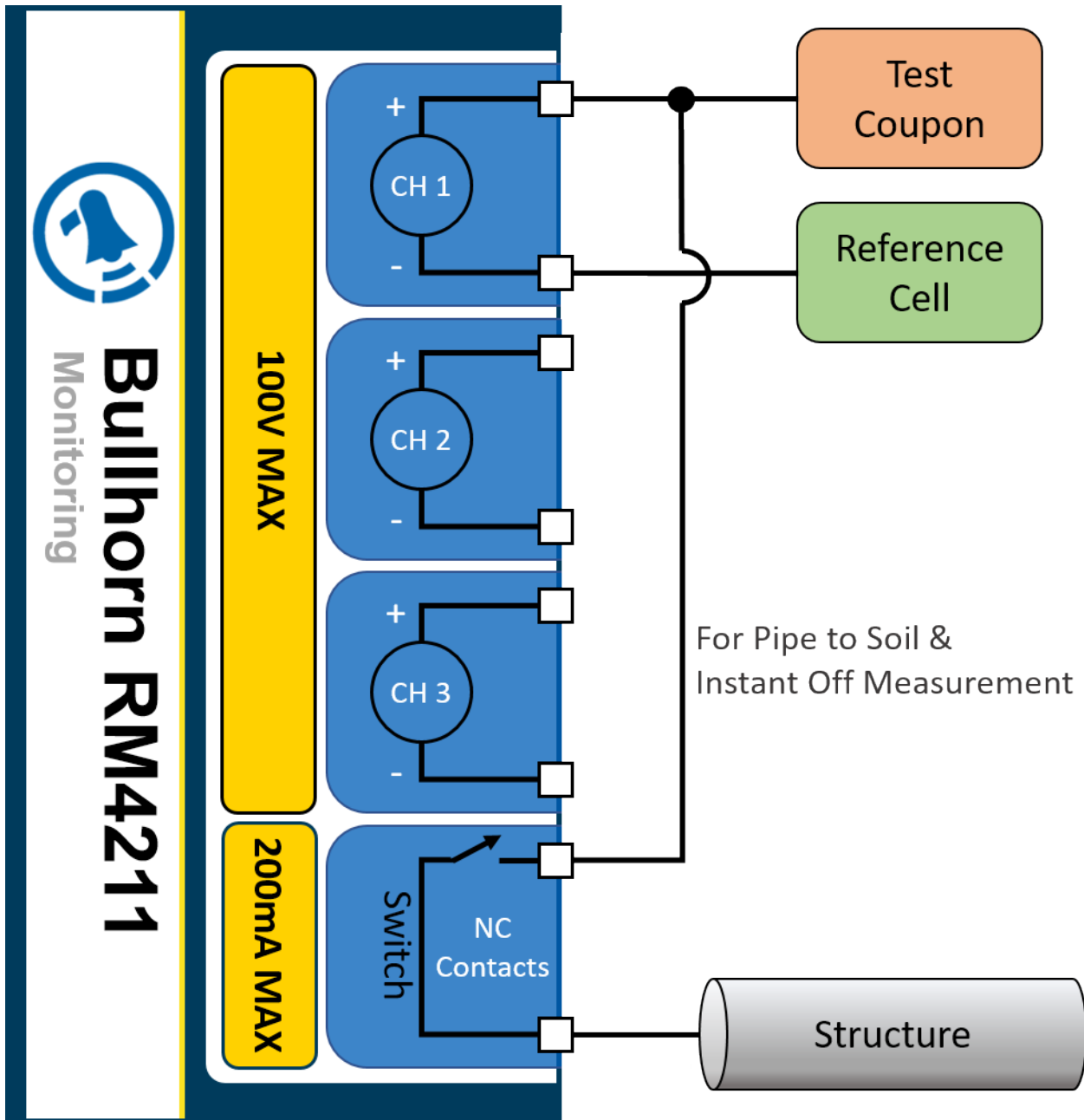
RM4211 Connections to a Solar Rectifier

The following diagram is an example of the wiring configuration of an RM4211 to a solar-powered rectifier:



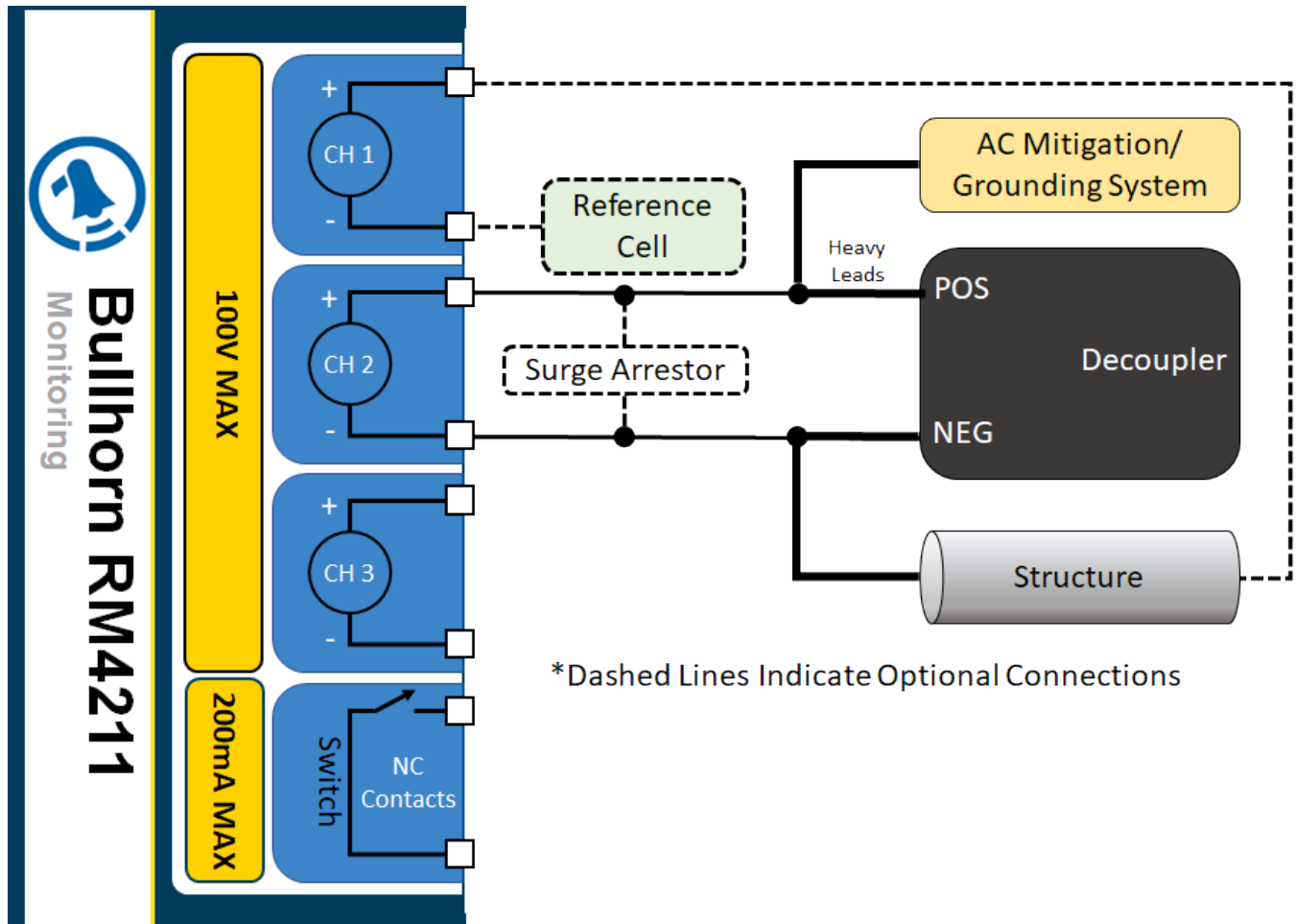
RM4211 Connections to a Test Station

The following diagram is an example of the wiring configuration of an RM4211 to a test station:



RM4211 Connections to a Decoupler

The following diagram is an example of the wiring configuration of an RM4211 to a decoupler:



RM4211 Connections to a Decoupler with Coupon and Current Transducer

The following diagram is an example of the wiring configuration of an RM4211 to a decoupler with a coupon for instant off and a current transducer:

